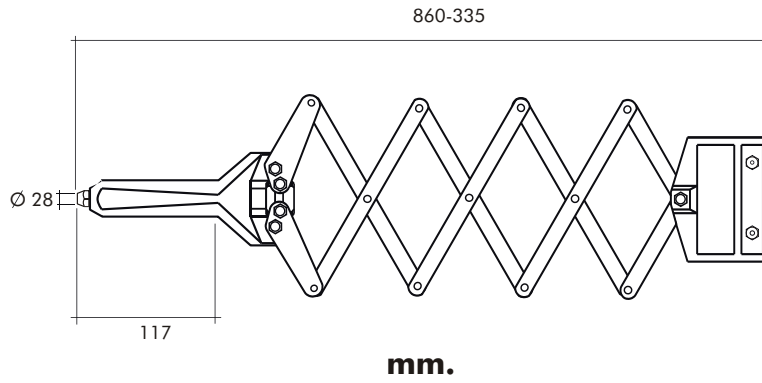


| REFERENCE | CODE NO. | WEIGHT |
|-----------|-----------|---------|
| BM65 | 92BM00650 | 510 gr. |

| BLIND RIVETS Ø m/m | MATERIALS | | | |
|--------------------------|-----------|-------|------|--------|
| | Aluminium | Steel | Inox | Copper |
| 2,4 | X | | | |
| 3,0 - 3,2 | X | X | X | X |
| 4,0 | X | X | X | X |
| 4,8 - 5,0 | X | | | |

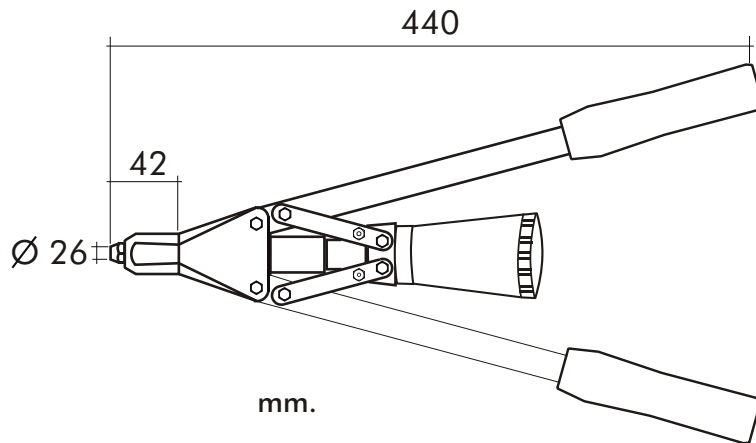




| REFERENCE | CODE NO. | WEIGHT |
|-------------|-----------|------------------|
| BM67 | 02BM00670 | 1.920 gr. |

| BLIND RIVETS Ø m/m | MATERIALS | | | |
|--------------------------|-----------|----------|----------|----------|
| | Aluminium | Steel | Inox | Copper |
| 2,4 | X | | | |
| 3,0 - 3,2 | X | X | X | X |
| 4,0 | X | X | X | X |
| 4,8 - 5,0 | X | X | X | X |

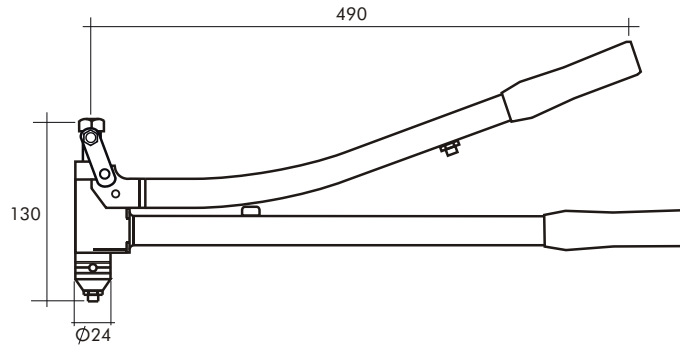




| REFERENCE | CODE NO. | WEIGHT |
|-----------|-----------|-----------|
| BM90 | 02BM00900 | 1.500 gr. |

| BLIND RIVETS Ø m/m | MATERIALS | | | |
|--------------------------|-----------|-------|------|--------|
| | Aluminium | Steel | Inox | Copper |
| 3,0 - 3,2 | x | x | x | x |
| 4,0 | x | x | x | x |
| 4,8 - 5,0 | x | x | x | x |
| 4,8 Structural | | x | | |
| 5,2 S-trebol | x | | | |

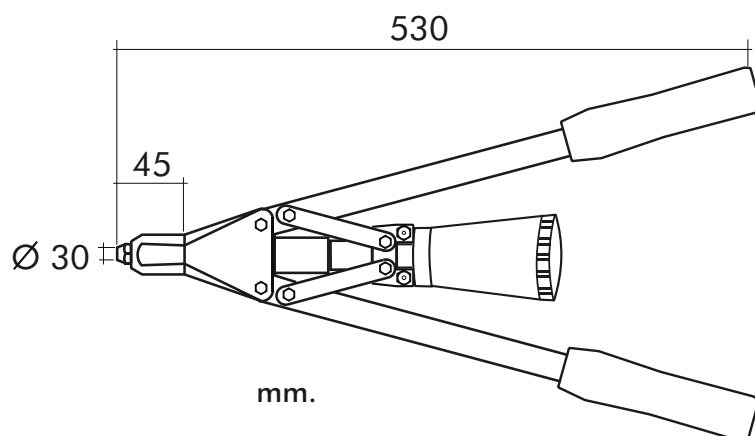




| REFERENCE | CODE NO. | WEIGHT |
|-----------|-----------|-----------|
| BM92 | 02BM00920 | 1.590 gr. |

| BLIND RIVETS Ø m/m | MATERIALS | | | |
|--------------------------|-----------|-------|------|--------|
| | Aluminium | Steel | Inox | Copper |
| 3,0 - 3,2 | X | X | X | X |
| 4,0 | X | X | X | X |
| 4,8 - 5,0 | X | X | X | X |





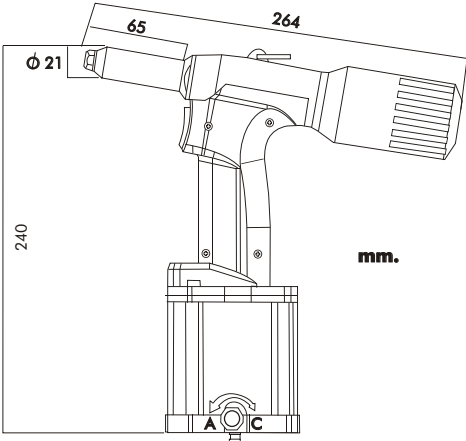
| REFERENCE | CODE NO. | WEIGHT |
|-----------|-----------|-----------|
| BM93 | 02BM00930 | 2.057 gr. |

| BLIND RIVETS Ø m/m | MATERIALS | | | |
|--------------------------|-----------|-------|------|--------|
| | Aluminium | Steel | Inox | Copper |
| 4,8 - 5,0 | X | X | X | X |
| 6,0 | X | X | | |
| 6,4 | X | X | X | |
| 6,5 Structural | X | X | X | |



RIVETING TOOLS FOR BLIND RIVETS

International diameter : 6 mm.



| REFERENCE | CODE N° | WEIGHT |
|-----------|-----------|-----------|
| BM 500 | 02BM05000 | 1.400 gr. |

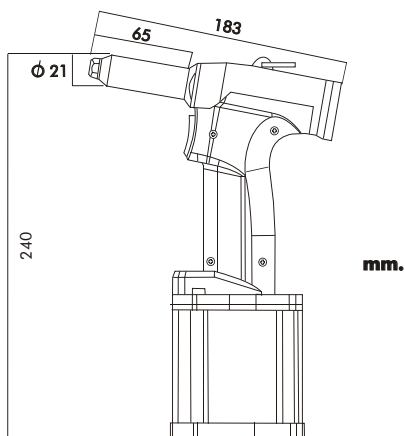
| BLIND RIVETS Ø m/m | MATERIALS | | | |
|--------------------------|-----------|-------|------|--------|
| | Aluminium | Steel | Inox | Copper |
| 2,4 | x | x | x | x |
| 3,0 - 3,2 | x | x | x | x |
| 4,0 | x | x | x | x |
| 4,8 - 5,0 | x | | | |
| 5,2 S-Trebol | x | | | |



RIVETING TOOLS FOR BLIND RIVETS

BM-500SA

International diameter : 6 mm.



mm.

| REFERENCE | CODE N° | WEIGHT |
|-----------|------------|-----------|
| BM 500SA | 02BM0500SA | 1.400 gr. |

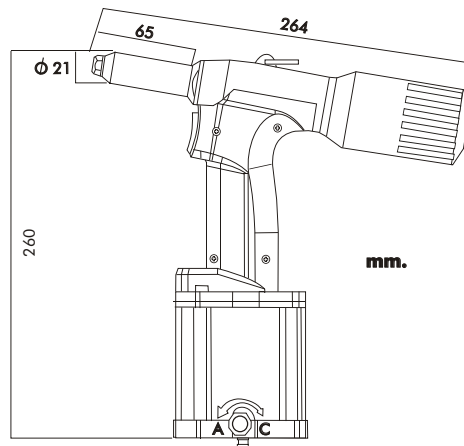
| BLIND RIVETS Ø m/m | MATERIALS | | | |
|--------------------------|-----------|-------|------|--------|
| | Aluminium | Steel | Inox | Copper |
| 2,4 | x | x | x | x |
| 3,0 - 3,2 | x | x | x | x |
| 4,0 | x | x | x | x |
| 4,8 - 5,0 | x | | | |
| 5,2 S-Trebol | x | | | |



RIVETING TOOLS FOR BLIND RIVETS

BM-700

International diameter : 6 mm.



| REFERENCE | CODE N° | WEIGHT |
|-----------|-----------|-----------|
| BM700 | 02BM07000 | 1.500 gr. |

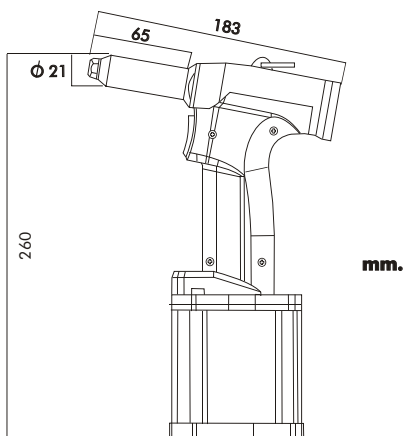
| REMACHE Ø m/m | MATERIALS | | | |
|---------------------|-----------|-------|------|--------|
| | Aluminium | Steel | Inox | Copper |
| 3,0 - 3,2 | X | X | X | X |
| 4,0 | X | X | X | X |
| 4,8 - 5,0 | X | X | X | X |
| 4,8 Structural | | X | | |
| 5,2 S-Trebol | X | | | |



RIVETING TOOLS FOR BLIND RIVETS

BM-700SA

International diameter : 6 mm.



| REFERENCE | CODE N° | WEIGHT |
|-----------|------------|-----------|
| BM 700SA | 02BM0700SA | 1.500 gr. |

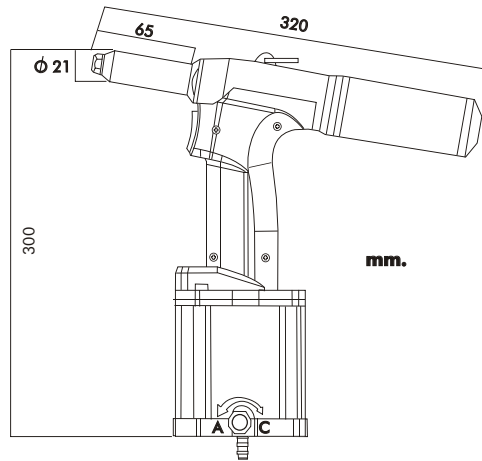
| REMACHE Ø m/m | MATERIALS | | | |
|---------------------|-----------|-------|------|--------|
| | Aluminium | Steel | Inox | Copper |
| 3,0 - 3,2 | X | X | X | X |
| 4,0 | X | X | X | X |
| 4,8 - 5,0 | X | X | X | X |
| 4,8 Structural | | X | | |
| 5,2 S-Trebol | X | | | |



RIVETING TOOLS FOR BLIND RIVETS

BM-900

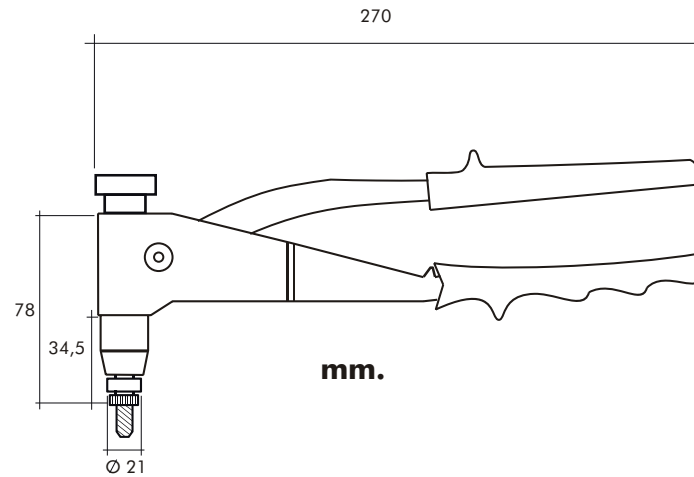
International diameter : 8 mm.



| REFERENCE | CODE N° | WEIGHT |
|-----------|-----------|-----------|
| BM900 | 02BM09000 | 2.800 gr. |

| BLIND RIVET Ø m/m | MATERIALS | | | |
|-------------------------|-----------|-------|------|--------|
| | Aluminium | Steel | Inox | Copper |
| 4,8 Structural | X | X | X | X |
| 4,8 - 5,0 | X | X | X | X |
| 6,0 - 6,4 | X | X | X | X |
| 6,5 Structural | X | X | X | X |

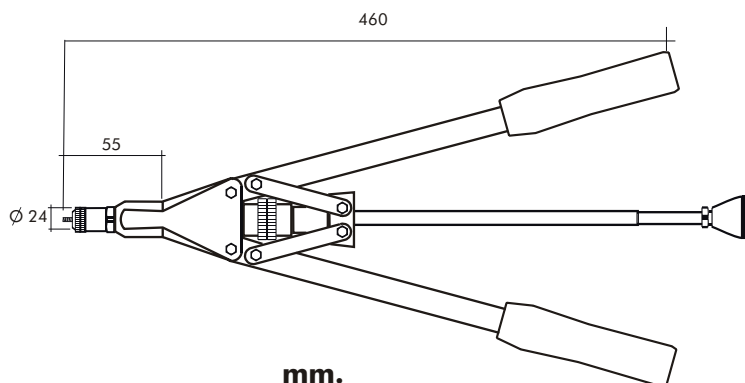




| REFERENCE | CODE NO. | WEIGHT |
|-----------|-----------|---------|
| TR 100 | 02TR01000 | 496 gr. |

| BLIND RIVETS Ø m/m | MATERIALS | | | |
|--------------------------|-----------|-------|------|--------|
| | Aluminium | Steel | Inox | Copper |
| M - 3 | X | X | X | X |
| M - 4 | X | X | X | X |
| M - 5 | X | X | X | X |
| M - 6 | X | X | X | X |

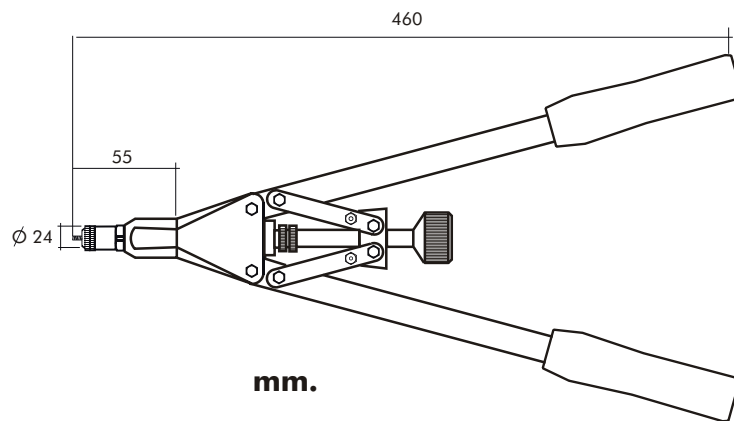




| REFERENCE | CODE NO. | WEIGHT |
|-----------|-----------|-----------|
| TR 200 | 02TR02000 | 1.600 gr. |

| BLIND RIVETS Ø m/m | MATERIALS | | | |
|--------------------------|-----------|-------|------|--------|
| | Aluminium | Steel | Inox | Copper |
| M - 4 | X | X | X | X |
| M - 5 | X | X | X | X |
| M - 6 | X | X | X | X |
| M - 8 | X | X | X | X |

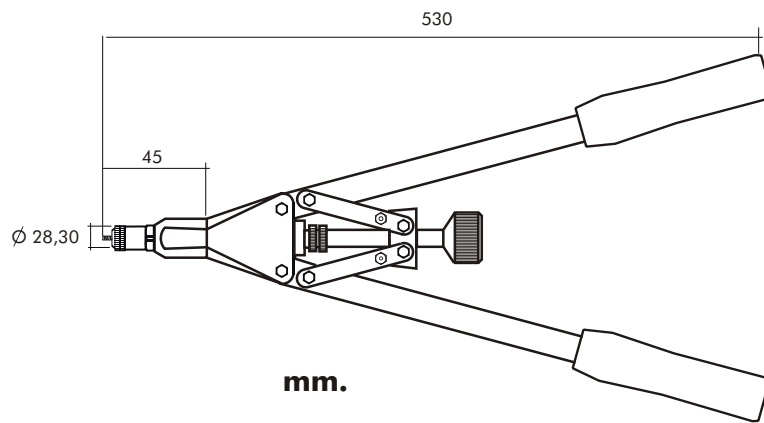




| REFERENCE | CODE NO. | WEIGHT |
|-----------|-----------|-----------|
| TR 208 | 02TR02080 | 1.600 gr. |

| BLIND RIVETS Ø m/m | MATERIALS | | | |
|--------------------------|-----------|-------|------|--------|
| | Aluminium | Steel | Inox | Copper |
| M - 4 | X | X | X | X |
| M - 5 | X | X | X | X |
| M - 6 | X | X | X | X |
| M - 8 | X | X | X | X |

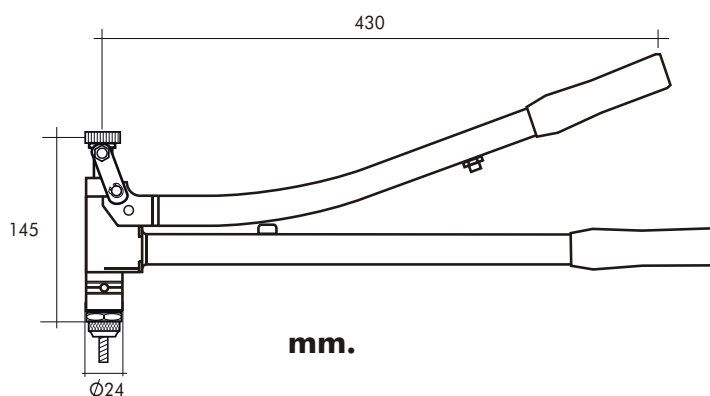




| REFERENCE | CODE NO. | WEIGHT |
|-----------|-----------|-----------|
| TR 212 | 02TR02120 | 2.200 gr. |

| BLIND RIVETS ∅ m/m | MATERIALS | | | |
|--------------------------|-----------|-------|------|--------|
| | Aluminium | Steel | Inox | Copper |
| M - 8 | X | X | X | X |
| M - 10 | X | X | X | X |
| M - 12 | X | X | X | X |





mm.

| REFERENCE | CODE NO. | WEIGHT |
|-----------|-----------|-----------|
| TR 300 | 02TR03000 | 1.600 gr. |

| BLIND RIVETS Ø m/m | MATERIALS | | | |
|--------------------------|-----------|-------|------|--------|
| | Aluminium | Steel | Inox | Copper |
| M - 4 | X | X | X | X |
| M - 5 | X | X | X | X |
| M - 6 | X | X | X | X |
| M - 8 | X | X | X | X |

NOTA: La máquina se presenta con una métrica.
Solicitar la máquina con la

